

## Product Detail



<b>Product Line:</b>	<a href="#">Johnson</a> (Click for customer service)
<b>Part Number:</b>	105-0752-001
<b>Description:</b>	Horizontal Test Jack - Insulated Standard
<b>Product Family:</b>	TEST JACK
<b>Contact Material:</b>	Copper aluminum alloy
<b>Contact Finish:</b>	Silver
<b>Contact Termination:</b>	Solder
<b>Current:</b>	5 amps
<b>Description:</b>	Insulated Standard
<b>For Use With:</b>	.080 (2.00) Tip Plug
<b>Body Material:</b>	Nylon 6/6 per ASTM D4066
<b>Breakdown Voltage:</b>	2100 Vrms min.
<b>Color / Finish:</b>	Red
<b>RoHS Compliant:</b>	Yes

20070523-1523

# Horizontal Test Jack Insulated Standard

## SPECIFICATIONS

**Contact:** Copper aluminum alloy\*

**Finish:** Gold or Silver

**Body:** Nylon 6/6 per ASTM D4066

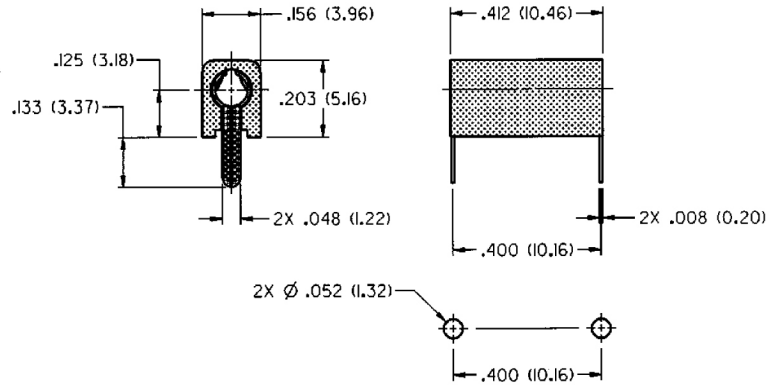
## RATINGS

**Current:** 5 amps

**Breakdown Voltage:** 2100 Vrms minimum †

**Contact Resistance:** Gold: 0.005 ohms maximum  
Silver: 0.010 ohms maximum

**Adjacent Jack C:** 1 pF maximum at 1 MHz



MOUNTING HOLE LAYOUT

SILVER PLATING	
105-0752-001	Red

For Standard Tip Plug: .080 (2.00) Diameter

## FEATURES:

- Contact protected from flux and solder
- Probe access from both ends or top
- Nylon UL approved for self extinguishing

\* A new material development that, for this application, meets or exceeds beryllium copper.